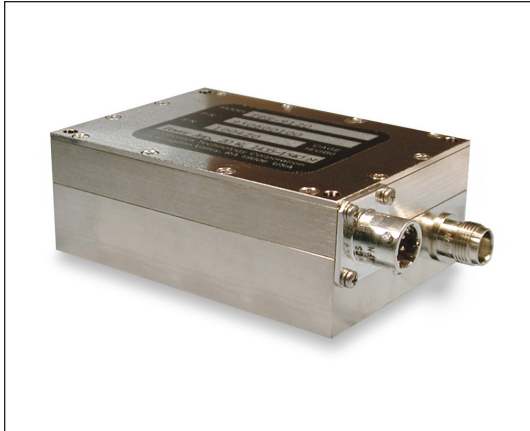


11 Cubic Inch Power Amplifier - 10 or 20 Watts

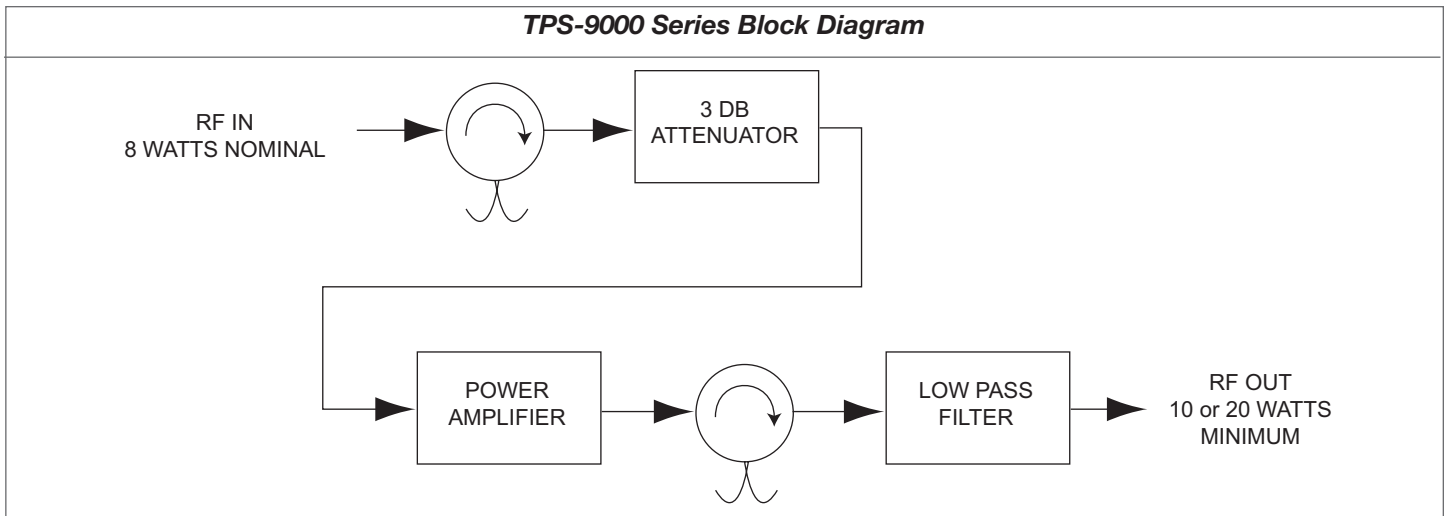


Features

- L & S Bands
- 10 or 20 Watt Power Output
- 2.5" x 3.5" x 1.31" Package
- Environmentally Rugged

Applications

- Aircraft Flight Testing
- Missile Performance Testing
- Space Craft Instrumentation
- Remote Ground Communication



Revision 05/07/2015

TPS-9000 Series Datasheet

©2015 Teletronics - A Curtiss-Wright Company
 Specifications subject to change without notice.

Approved for Public Release 15-S-1793

Teletronics - A Curtiss-Wright Company
 15 Terry Drive, Newtown, PA 18940
 phone: 267.352.2020 fax: 267.352.2021 Sales@ttcdas.com

www.ttcdas.com



Management System
 AS9100C
 ISO 9001:2008