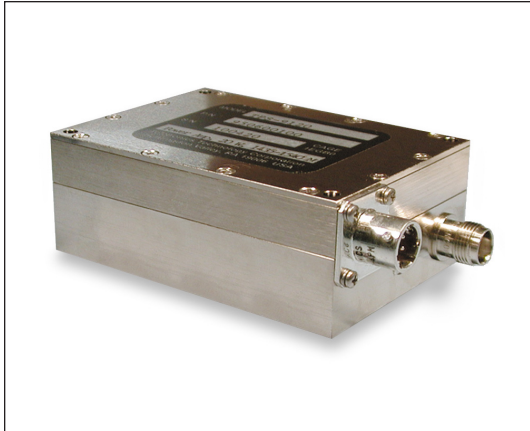


11 Cubic Inch Power Amplifier - 10 Watts



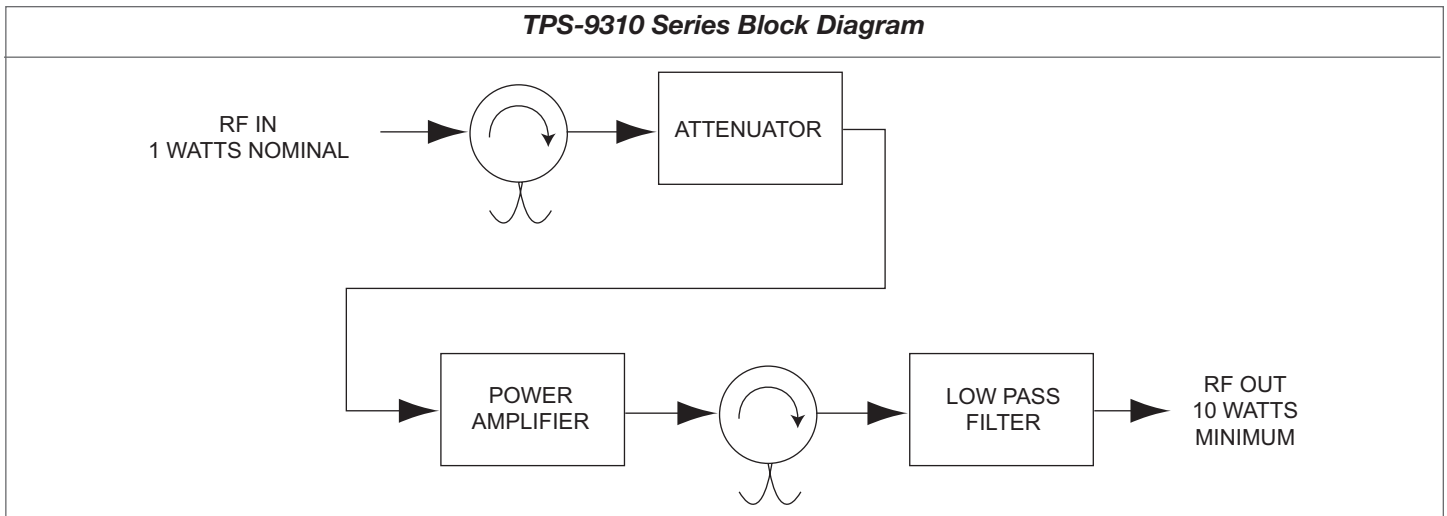
Features

- S Band
- 10 Watt power output
- 2.5" x 3.5" x 1.31" package
- Environmentally rugged

Applications

- Aircraft flight testing
- Missile performance testing
- Space craft instrumentation
- Remote ground communication

TPS-9310 Series Block Diagram



Revision 05/07/2015

TPS-9310 Series Datasheet

©2015 Teletronics - A Curtiss-Wright Company
 Specifications subject to change without notice.

Approved for Public Release 15-S-1798

Teletronics - A Curtiss-Wright Company
 15 Terry Drive, Newtown, PA 18940
 phone: 267.352.2020 fax: 267.352.2021 Sales@ttcdas.com

www.ttcdas.com



Management System
 AS9100C
 ISO 9001:2008