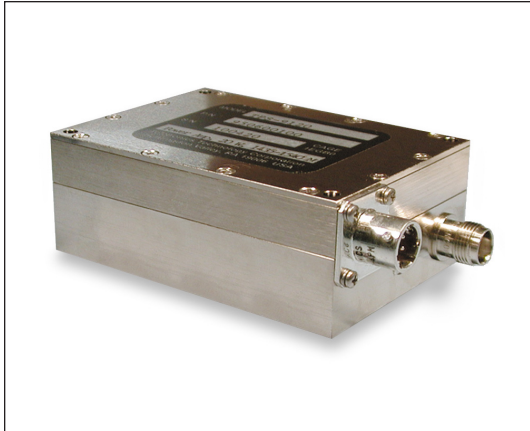


11 Cubic Inch Power Amplifier - 20 Watts



Features

- S Band
- 20 Watt power output
- 2.5" x 3.5" x 1.31" package
- Environmentally rugged

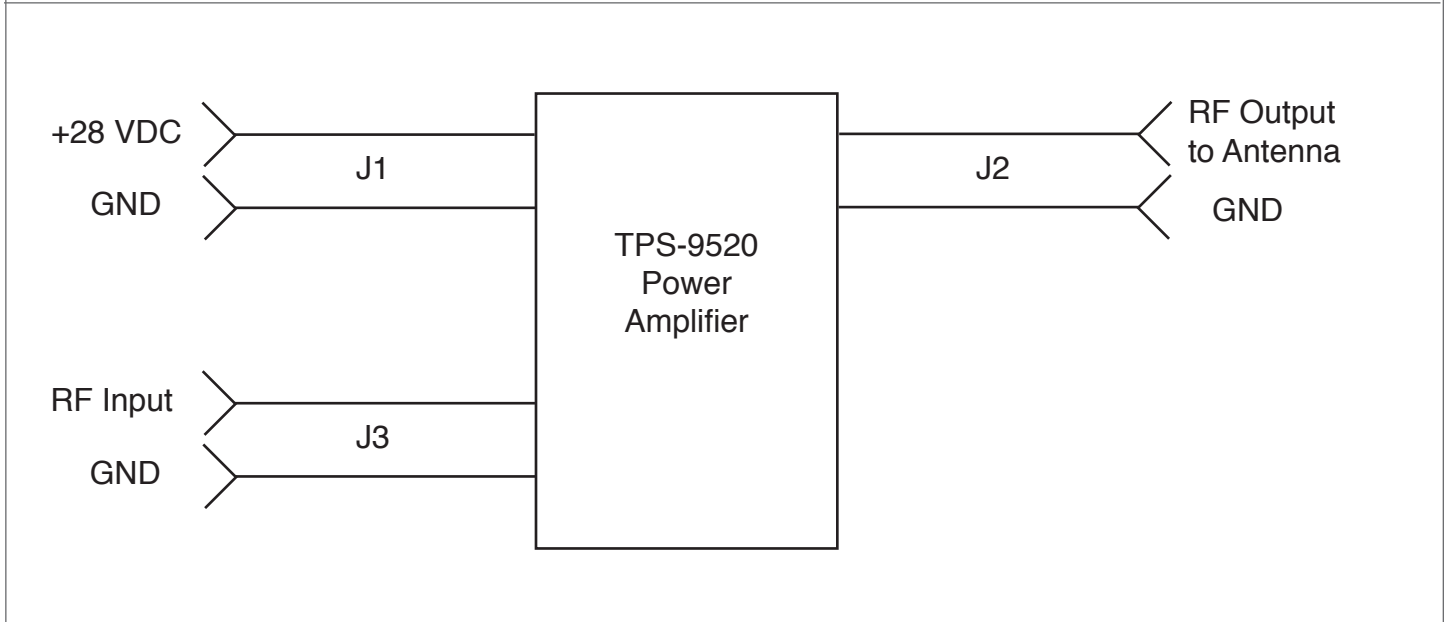
Description

The TPS-9520 is a 20 Watt RF power amplifier. It operates in the frequency range of 2200 to 2400 MHz. The power amplifier requires an input of 2 Watts in the operating range of 2200 to 2400 MHz. The power input connector is a PT02H-8-4P and RF output and input connectors are TNC female. The power amplifier must be mounted on a heatsink capable of maintaining the temperature within the operating temperature range..

Applications

- Aircraft flight testing
- Missile performance testing
- Space craft instrumentation
- Remote ground communication

TPS-9520 Functional Interface Block Diagram



Revision 05/07/2015

TPS-9520 Series Datasheet

©2015 Teletronics - A Curtiss-Wright Company
 Specifications subject to change without notice.
 Approved for Public Release 15-S-1797

Teletronics - A Curtiss-Wright Company
 15 Terry Drive, Newtown, PA 18940
 phone: 267.352.2020 fax: 267.352.2021 Sales@ttcdas.com

www.ttcdas.com



Management System
 AS9100C
 ISO 9001:2008