

11 Cubic Inch Telemetry Receiver



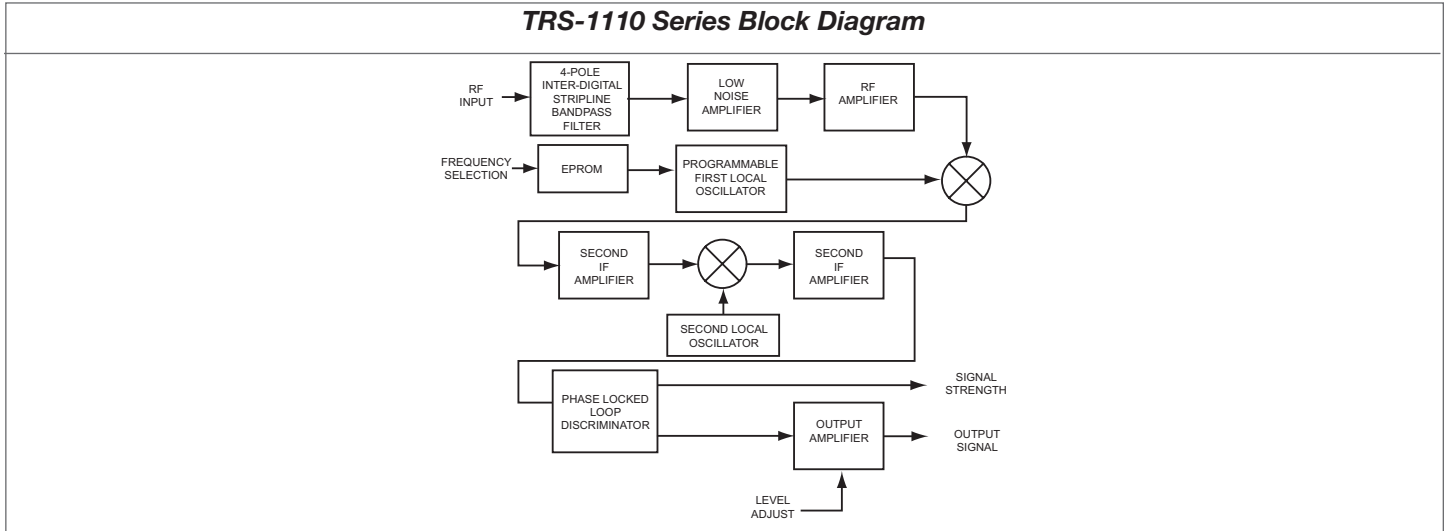
Features

- L & S Bands
- IF Bandwidth to 4 MHz
- Frequency Selectable
- 2.5" x3.5" x 1.31" Package
- Environmentally Rugged

Applications

- Aircraft Flight Testing
- Missile Performance Testing
- Remote Ground Communication

TRS-1110 Series Block Diagram



Revision 05/07/2015

TRS-1110 Series Datasheet

©2015 Teletronics - A Curtiss-Wright Company
 Specifications subject to change without notice.
 Approved for Public Release 15-S-1972

Teletronics - A Curtiss-Wright Company
 15 Terry Drive, Newtown, PA 18940
 phone: 267.352.2020 fax: 267.352.2021 Sales@ttcdas.com

www.ttcdas.com



Management System
 AS9100C
 ISO 9001:2008

TRS-1110 Series – 11 Cubic Inch Telemetry Receiver

Technical Specifications

Environmental Specifications

Temperature: Operating -20°C to +70°C; Storage -54°C to +125°C

Vibration: 20g, 5 Hz to 2,000 Hz, in the three major axes

Acceleration: 100 g, in the three major axes

Shock: 100 g peak, half-sine, for 11 milliseconds in each major axis

Altitude: Unlimited

Humidity: Up to 95% at any temperature forming frost or condensation

Dimensions and Mechanical

Dimensions: Per outline drawing

Weight: 12 ounces maximum

Power Input Connector: J1, PT02H-8-4P

J1 Pin Functions: A- Power input; B- Signal output; C- RSS; D- Signal and Case Ground

RF Input Connector: J2, SMA Female

Frequency Selection Connection: J3, MDM-9P

J3 Pin Functions: 1-Ground or 100; 2-BCD 80; 3-BCD 40; 4-BCD 20; 5-BCD 10; 6-BCD 8; 7-BCD 4; 8-BCD 2; 9-BCD 1

RF Input

Carrier Frequency: 1435.5 to 1539.5; 1710 to 1850; 2200.5 to 2299.5; or 2300.5 to 2399.5 MHz (see model number selection)

Frequency Selection: In 1.0 MHz steps, by use of MDM-9P connector interface

Carrier Stability: ±0.002 % over the temperature range of -20°C to 70°C

VSWR: 1.5:1 maximum

Input Impedance: 50 ohms nominal

Input Power Level: +10dBm maximum without damage

Noise Figure: 6 dB maximum

Signal Strength Monitor: Output monotonic, 0.1V at -100 dBm to 5V at -30 dBm

IF Performance

1st IF Frequency: 510 MHz

2nd IF Frequency: 21.4 MHz

IF Bandwidth: 4 MHz

Harmonic/Spurious Level: -60 dB maximum

Demodulated Output

Frequency Response: 100 Hz to 1.0 MHz, ±1.5dB, to 1.5 MHz peak to peak deviation

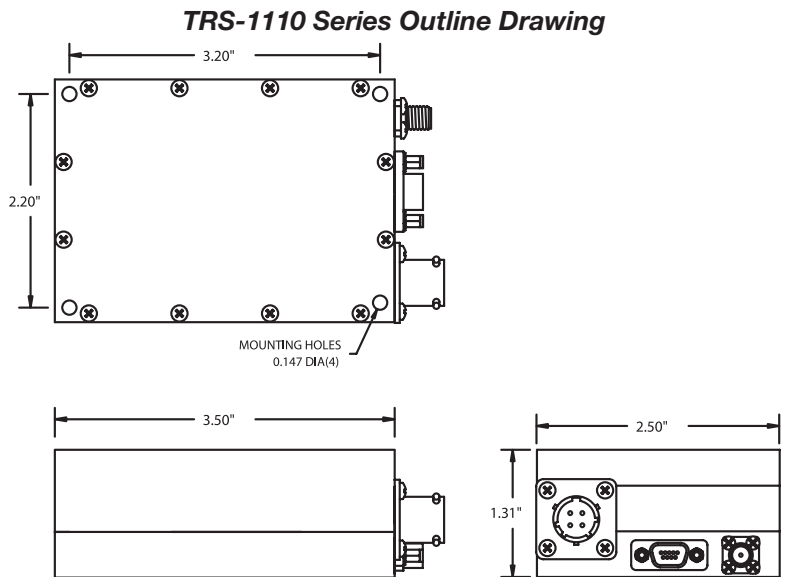
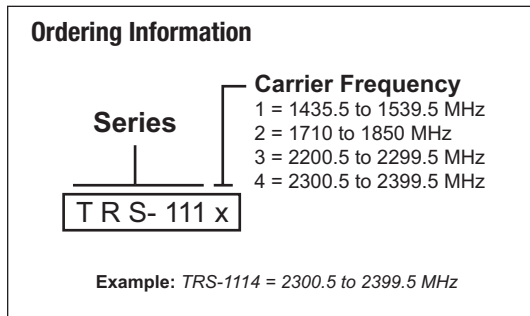
Output Level: 1 volt peak to peak for ±1.5 MHz deviation

Output Impedance: 75 ohms nominal

Power Requirements

Input Voltage: +28 ±4 volts dc, reverse polarity protected

Max Input Current: 400 milliamps maximum



TRS-1110 Series Datasheet

©2015 Teletronics - A Curtiss-Wright Company

Specifications subject to change without notice.

Approved for Public Release 15-S-1972

Teletronics - A Curtiss-Wright Company

15 Terry Drive, Newtown, PA 18940

phone: 267.352.2020 fax: 267.352.2021 Sales@ttcdas.com

www.ttcdas.com