

4.8 Cubic Inch Telemetry Transmitter - 2 or 5 Watts



Features

- L & S Bands
- 2 or 5 Watt Power Output
- Frequency Selectable
- 2" x 3" x 0.8" Package
- Environmentally Rugged

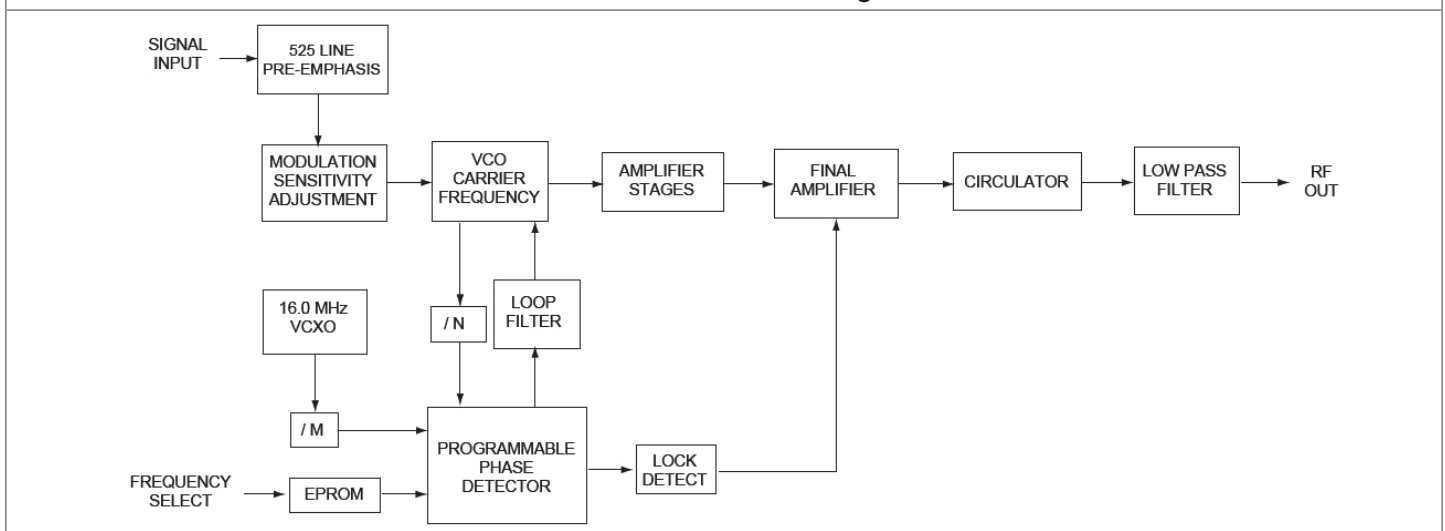
Description

TTS-4000 series transmitters are designed for use in telemetry, digital, wideband, and video applications. Versions are available to handle L and S bands at powers ranging from 2 watts to 5 watts. Compact package is just 4.8 cubic inches in size (2.0" x 3.0" x 0.8"). The transmitters are frequency selectable. Environmentally rugged construction for high reliability in the field.

Applications

- Video Transmission
- Aircraft Flight Testing
- Missile Performance Testing
- Space Craft Instrumentation
- Remote Ground Communication

TTS-4000 Series Block Diagram



Revision 05/07/2015

TTS-4000 Series Datasheet

©2015 Teletronics - A Curtiss-Wright Company

Specifications subject to change without notice.

Approved for Public Release 15-S-1860

Teletronics - A Curtiss-Wright Company

15 Terry Drive, Newtown, PA 18940

phone: 267.352.2020 fax: 267.352.2021 Sales@ttcdas.com

www.ttcdas.com



Management System
AS9100C
ISO 9001:2008