

8.75 Cubic Inch Telemetry Transmitter - 2, 5, 10 or 20 Watts



Features

- L & S Bands
- 2, 5, 10, or 20 Watt Power Output
- Frequency Selectable
- 2.5" x 3.5" x 1" Package
- Environmentally Rugged

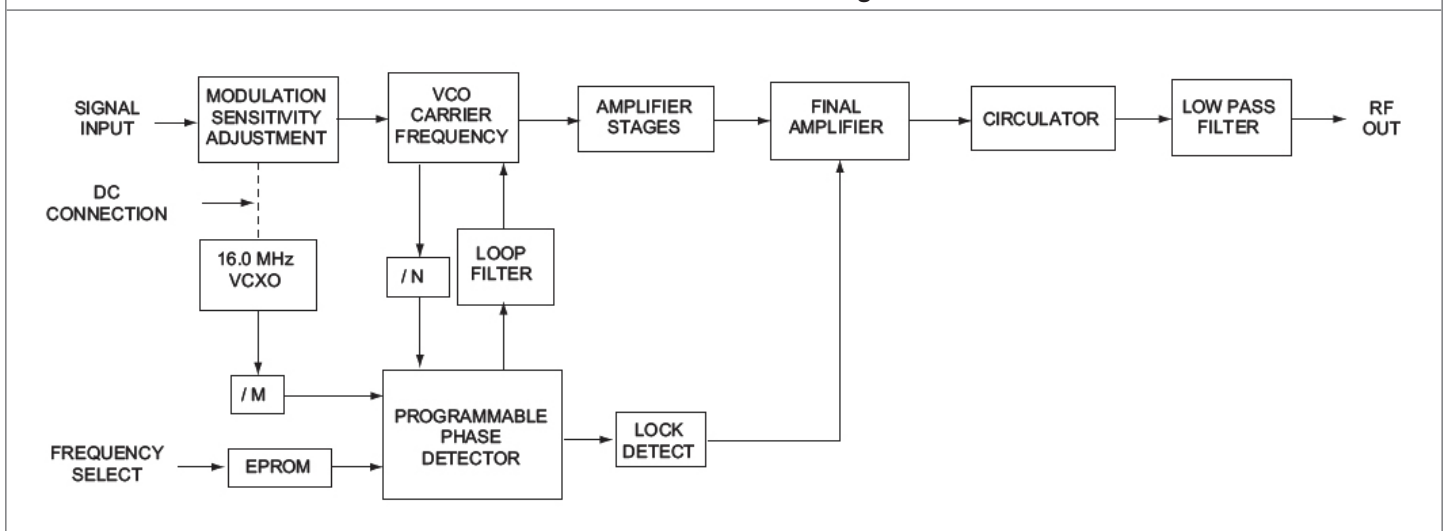
Description

TTS-9000 series transmitters are designed for use in FSK, hypermod, telemetry, digital, wideband, and video applications. Versions are available to handle L and S bands at powers ranging from 2 watts to 20 watts. Compact package is just 8.75 cubic inches in size (2.5" x 3.5" x 1.0"). The transmitters are frequency selectable. Environmentally rugged construction for high reliability in the field.

Applications

- Video Transmission
- Aircraft Flight Testing
- Missile Performance Testing
- Space Craft Instrumentation
- Remote Ground Communication

TTS-9000 Series Block Diagram



Revision 05/07/2015

TTS-9000 Series Datasheet

©2015 Teletronics - A Curtiss-Wright Company
Specifications subject to change without notice.

Approved for Public Release 15-S-1865

Teletronics - A Curtiss-Wright Company
15 Terry Drive, Newtown, PA 18940
phone: 267.352.2020 fax: 267.352.2021 Sales@ttcdas.com

www.ttcdas.com



Management System
AS9100C
ISO 9001:2008